

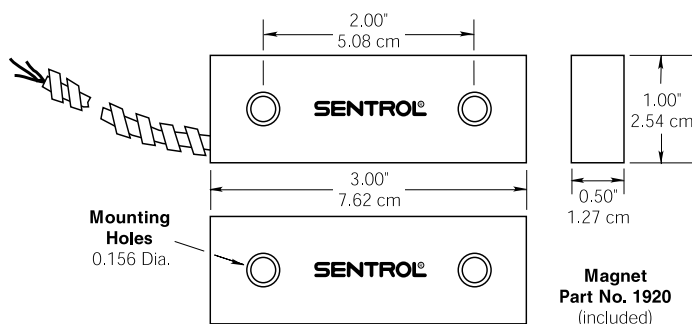
# SENTROL

## 2500 SERIES

### Installation Instructions



Models: 2505, 2505-A, 2507, 2507-A, 2507-AD, 2507-AH



## Installation

**Models 2505, 2505-A, 2507, 2507-A, 2507-AD:**  
Mount switch and magnet so both labels read in same direction (see illustration). Switch position and gap distances will be reduced with switch and magnet positioned incorrectly.

**Model 2507-AH:**  
Mount switch in desired location. Attach an ohmmeter to black and white wires. The meter should read infinity with magnet away from switch. Bring magnet toward switch until meter reads zero ohms. Mark this point and bring the magnet closer to the switch until meter again reads infinity. Mark this point and position magnet between the two marks; align magnet with switch so labels read in same direction. With magnet positioned in this manner, switch will be harder to defeat with an external magnet.

**Caution: Only use screws supplied, or 18/8 stainless steel screws.**

## Specifications

Form A (2505, 2505-A)  
Voltage.....100 VAC/DC max.  
Current..... 0.5 A max.  
Power..... 7.5 W max.

Form C (2507, 2507-A, 2507-AH, 2507-AD)  
Voltage..... 30 VAC/DC max.  
Current..... 0.25 A max.  
Power..... 3.0 W max.

**ULC Specifications**  
Form A (2505, 2505-A), Form C (2507, 2507-A, 2507-AH, 2507-AD)  
Voltage.....30VDC max.  
Current......50mA max.

**European Union Specification**  
Form A (2505, 2505-A)  
Voltage.....48V AC/DC max.  
Current.....0.5A max.

## Lead Functions

Form A (models 2505, 2505-A) use black leads

Form C (models 2507, 2507-A, 2507-AD, 2507-AH)

| Lead Color | Function         |
|------------|------------------|
| Black      | Common           |
| White      | Closed Loop (NO) |
| Red        | Open Loop (NC)   |

## Ordering Information

| Model Number | Loop Type      | Electrical Configuration | Finish   | Gap Distance (Make)* | Lead Type                        | Listing |
|--------------|----------------|--------------------------|----------|----------------------|----------------------------------|---------|
| 2505         | Closed         | NO                       | Anodized | Up to 3"             | 3' vinyl jacketed                | UL, ULC |
| 2505-A       | Closed         | NO                       | Anodized | Up to 3"             | 3' stainless steel armored cable | UL, ULC |
| 2507         | Open or Closed | SPDT                     | Anodized | Up to 3"             | 3' vinyl jacketed                | UL, ULC |
| 2507-A       | Open or Closed | SPDT                     | Anodized | Up to 3"             | 3' stainless steel armored cable | UL, ULC |
| 2507-AD      | Open or Closed | DPDT                     | Anodized | Up to 1 1/2"         | 3' stainless steel armored cable | UL      |
| 2507-AH      | Open or Closed | SPDT                     | Anodized | 3/4" Min, 2 1/2" Max | 3' stainless steel armored cable | UL      |

\* Gap distances are nominal make distance  $\pm$  20%.



SENTROL

**CORPORATE HEADQUARTERS**  
12345 SW Leveton Dr., Tualatin, OR 97062  
Tel: 503.692.4052 Fax: 503.691.7566  
<http://www.sentrol.com>  
**U.S. & Canada: 800.547.2556**  
**Technical Service: 800.648.7424**  
**FaxBack: 800.483.2495**

Sentrol reserves the right to change specifications without notice.

© 2000 Sentrol

1030557 Rev B 09/00